

## Main applications

Downstream pressure control and isolation

## Features

Control and isolation valve combined as a compact unit

Series 95.1:

Control and angle valve with bellows, opening at 1 bar differential pressure possible

Series 95.2:

Control and gate valve with shaft feed-through



Series 95.1: DN 25–50



Series 95.2: DN 63–250

## Ordering information

Valve with stepper motor and integrated pressure controller

DN		Ordering numbers			
mm	inch	Series 95.1		Series 95.2	
		aluminum ISO-KF	stainless steel ISO-KF	aluminum ISO-F	stainless steel ISO-F
25	1	95128-KA x y	95128-KE x y	–	–
40	1½	95132-KA x y	95132-KE x y	–	–
50	2	95134-KA x y	95134-KE x y	–	–
63	2½	–	–	95236-PA x y	–
80	3	–	–	95238-PA x y	–
100	4	–	–	95240-PA x y	–
160	6	–	–	95244-PA x y	–
200	8	–	–	95246-PA x y	–
250	10	–	–	95248-PA x y	–

Controller configurations:	x		y		Interface	Number of sensors
	G = basic version					
A = with SPS					H = RS232	2
H = with PFO					C = Logic	1
C = with SPS and PFO					E = Logic	2
T = basic version with VC master					P = DeviceNet®	1
V = with SPS and VC master					Q = DeviceNet®	2
U = with PFO and VC master					D = Profibus	1
W = with SPS, PFO and VC master					F = Profibus	2
					J = RS485	1
					K = RS485	2
					Y = Ethernet	1
					Z = Ethernet	2
					L = CC-Link	1
					N = CC-Link	2
					I = EtherCAT	1
					X = EtherCAT	2
					S = VC slave (without interface)	

Pressure controller: see pages 146–149

Technical data

Leak rate <sup>1)</sup>: valve body, valve seat <math>1 \cdot 10^{-9}</math> mbar ls<sup>-1</sup>

Pressure range <sup>1)</sup>

- Series 95.1 <math>1 \cdot 10^{-8}</math> mbar to 1.2 bar (abs)
- Series 95.2 <math>1 \cdot 10^{-7}</math> mbar to 1.2 bar (abs)

Cycles until first service <sup>2)</sup>

- Pressure control 2 million
- Closing/opening DN 25– 50 2 million
- DN 63–100 200000
- DN 160–250 100000

Temperature <sup>2)</sup>

- Valve body <math>\leq 120</math> °C
- Ambient <math>\leq 50</math> °C

Mounting position any

<sup>1)</sup> Unheated on delivery

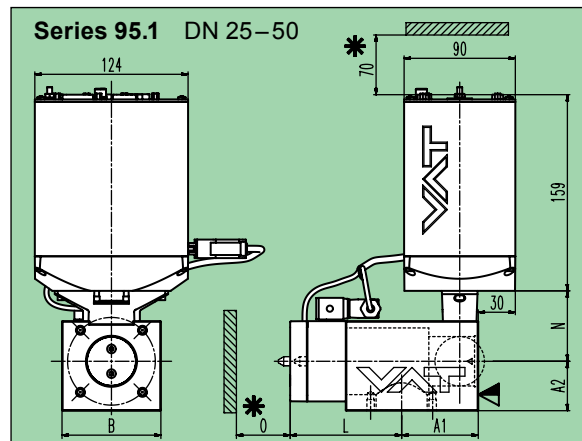
<sup>2)</sup> Maximum values: depending on operating conditions and sealing materials

DN (nominal I. D.)		Conductance (molecular flow)	Minimum controllable conductance (molecular flow)	Compressed air min. – max. overpressure		Max. differential pressure			Operating time for throttling	Typical closing or opening time	Weight			
mm	inch			bar	psi	During closing	During opening	During pressure control			kg	lbs	Aluminum valve	Stainless steel valve
25	1	8.5	0.15	4–8	58–116	1.2	1000	1	0.3	0.6	2.7	6	3.6	8
40	1½	29	0.25	4–8	58–116	1.2	1000	1	0.3	0.6	3.6	7.9	5.7	12.5
50	2	52	0.30	4–8	58–116	1.2	1000	1	0.3	0.7	4.2	9.3	6.8	15
63	2½	210	0.45	4–7	58–102	1.2	30	1	0.3	1.5	7.1	15.6	–	–
80	3	450	0.65	4–7	58–102	1.2	30	1	0.3	1.7	7.9	17.4	–	–
100	4	800	0.85	4–7	58–102	1.2	30	0.80	0.3	2	9.1	20	–	–
160	6	2300	1.70	4–7	58–102	1.2	30	0.30	0.3	2	15.8	34.8	–	–
200	8	4700	2.80	4–7	58–102	1.2	30	0.15	0.3	3	25.7	56.6	–	–
250	10	8900	5	4–7	58–102	1.2	30	0.10	0.3	5	41.5	91.5	–	–

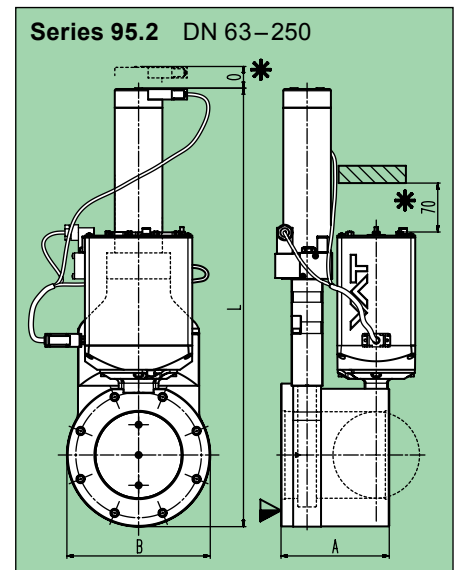
Technical data for pressure controller: see pages 146–149

Dimensions

DN	mm	25	40	50
	inch	1	1½	2
A1	mm	44	62	69
	inch	1.73	2.44	2.72
A2	mm	35	40	43
	inch	1.38	1.57	1.69
B	mm	60	80	86
	inch	2.36	3.15	3.39
L	mm	64	90	99
	inch	2.52	3.54	3.90
N	mm	54	57	62
	inch	2.13	2.24	2.44
O	mm	44	74	85.50
	inch	1.73	2.91	3.37



DN	mm	63	80	100	160	200	250
	inch	2½	3	4	6	8	10
A	mm	125	125	125	140	175	210
	inch	4.92	4.92	4.92	5.51	6.89	8.27
B	mm	131	146	166	237	290	352
	inch	5.16	5.75	6.54	9.33	11.42	13.86
L	mm	407	448	508	665	832	1018
	inch	16.02	17.64	20	26.18	32.76	40.08
O	mm	25	25	25	60	80	100
	inch	0.98	0.98	0.98	2.36	3.15	3.94



▽ Valve seat side  
\* Required for dismantling